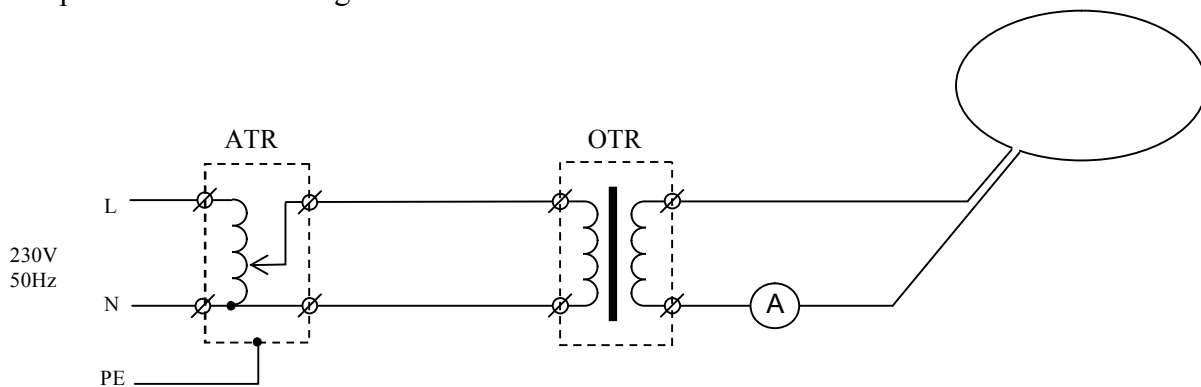


Testing set for magnetic field 50 Hz (EN 61000-4-8)



This set is suitable for immunity testing towards durable and transient magnetic field of mains frequency 50 (60) Hz. The magnetic field is manually settable on variable voltage transformer, while the current in coil is checked by ammeter in accordance with the conversion table. The coil has many turns and is held by two camera stands making possible rotation along horizontal axis.



Specifications:

- Variable transformer 1.17 kW;
- Safety transfer transformer 2 KVA
- Ammeter 20 A
- Circle-formed coil 20mH diameter 1m with stands (mass of coil 8kg).
- Magnetic field intensity 3 to 1600A/m.